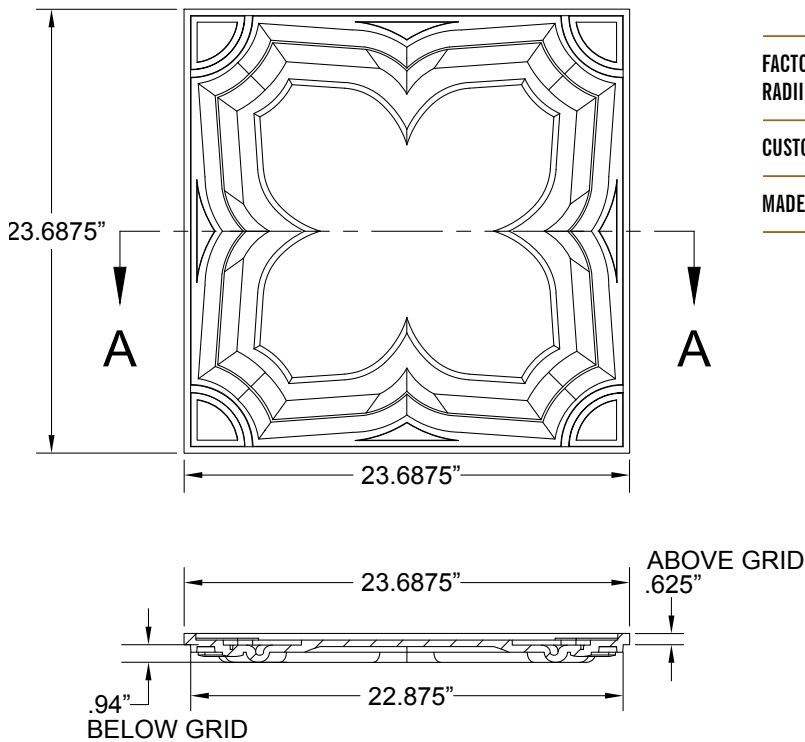


Gothic Tegular Ceiling Tile

TL-0067



| | |
|--|--|
| NOMINAL SIZE: | 2' x 2' |
| MATERIAL: | Gypsum, glass fibers, and other non-combustible aggregates |
| WEIGHT: | 8.8 lbs/tile |
| STANDARD FINISH: | White satin latex paint |
| CUSTOM / FAUX FINISHES: | Available upon request |
| FIRE RATING: | Class A, with zero smoke spread, zero flame spread, and zero fuel contribution |
| INSTALLATION: | Drop into any standard commercial 15/16 inch T-Bar suspension grid, consisting of pre-punched roll-formed steel with exposed flange surface |
| EASY TO FIELD CUT: | For sprinklers, recessed lights, pendants and vents. |
| FACTORY CUT HOLES AND RADII FOR PERIMETERS: | Inquire |
| CUSTOM DESIGNS AVAILABLE: | Inquire |
| MADE IN USA: | Handmade, one-at-a-time in Milwaukee, WI |



SECTION A-A

