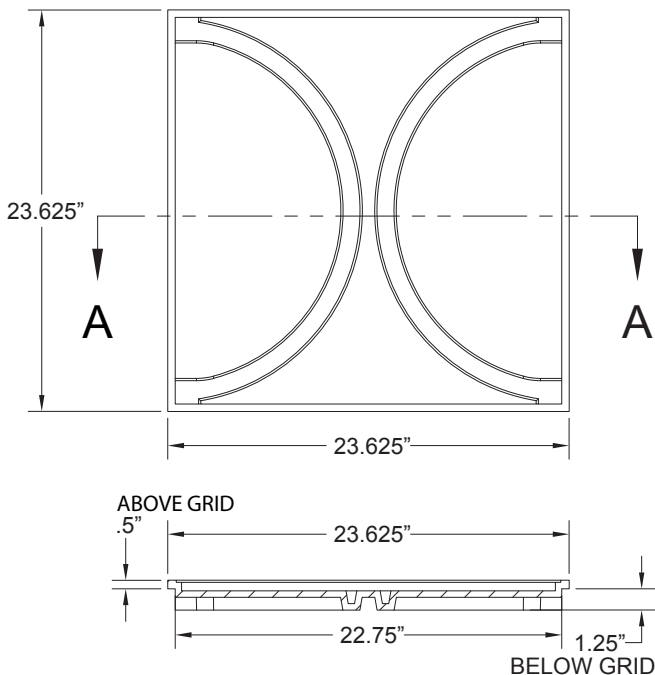


Cloverleaf Ceiling Tile TL-0083



NOMINAL SIZE:	2' x 2'
MATERIAL:	Gypsum, glass fibers, and other non-combustible aggregates
WEIGHT:	8.0 lbs/tile
FINISH:	Standard white or specify custom water-based paint color
CUSTOM/ FAUX FINISHES:	Available upon Request
FIRE RATING:	Class A, with zero smoke spread, zero flame spread, and zero fuel contribution
INSTALLATION:	Drop into any standard commercial 15/16 inch T-bar suspension grid, consisting of pre-purchased roll-formed steel with exposed flange surface
GRID CLEARANCE:	8 inches
EASY TO FIELD CUT:	For sprinklers, recessed lights, pendants and vents
FACTORY CUTS:	Inquire
CUSTOM DESIGNS AVAILABLE:	Inquire



SECTION A - A

