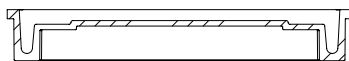
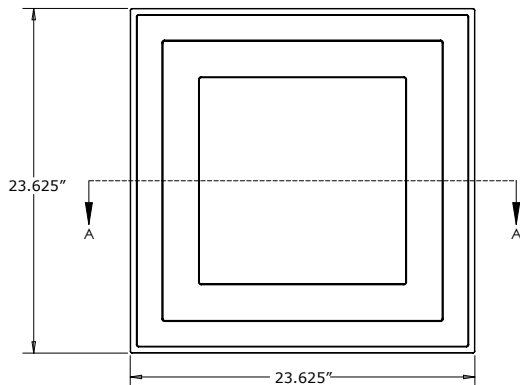


Madison Ceiling Tile

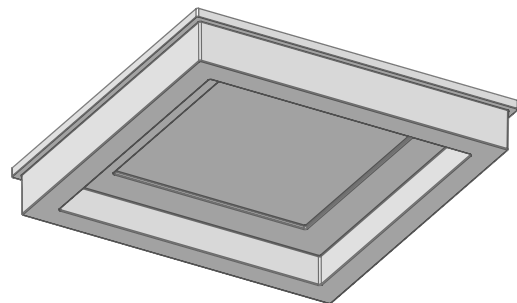
TL-0107



NOMINAL SIZE:	2' x 2'
MATERIAL:	Gypsum, glass fibers, and other non-combustible aggregates
WEIGHT:	11.5 lbs/tile
STANDARD FINISH:	White satin latex paint
CUSTOM / FAUX FINISHES:	Available upon request
FIRE RATING:	Class A, with zero smoke spread, zero flame spread, and zero fuel contribution
INSTALLATION:	Drop into any standard commercial 15/16 inch T-Bar suspension grid, consisting of pre-punched roll-formed steel with exposed flange surface
EASY TO FIELD CUT:	For sprinklers, recessed lights, pendants and vents.
FACTORY CUT HOLES AND RADII FOR PERIMETERS:	Inquire
CUSTOM DESIGNS AVAILABLE:	Inquire
MADE IN USA	Handmade, one-at-a-time in Milwaukee, WI



SECTION A-A



Complete dimensions and .dwg file available upon request.