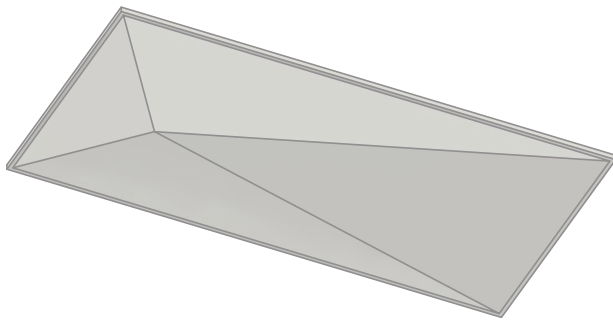


# 2ftx4ft Pyramid Diffuser Ceiling Tile

TL-0133



<b>NOMINAL SIZE:</b>	2' x 4'
<b>MATERIAL:</b>	Gypsum, glass fibers, and other non-combustible aggregates
<b>WEIGHT:</b>	Estimate: TBD lbs/tile
<b>FINISH:</b>	Standard white or specify custom water-based paint color
<b>CUSTOM / FAUX FINISHES:</b>	Available upon request
<b>FIRE RATING:</b>	Class A, with zero smoke spread, zero flame spread, and zero fuel contribution
<b>INSTALLATION:</b>	Drop into any standard commercial 15/16 inch T-Bar suspension grid, consisting of pre-punched roll-formed steel with exposed flange surface
<b>GRID CLEARANCE:</b>	
<b>EASY TO FIELD CUT:</b>	For sprinklers, recessed lights, pendants and vents.
<b>FACTORY CUTS:</b>	Inquire
<b>CUSTOM DESIGNS AVAILABLE:</b>	Inquire

