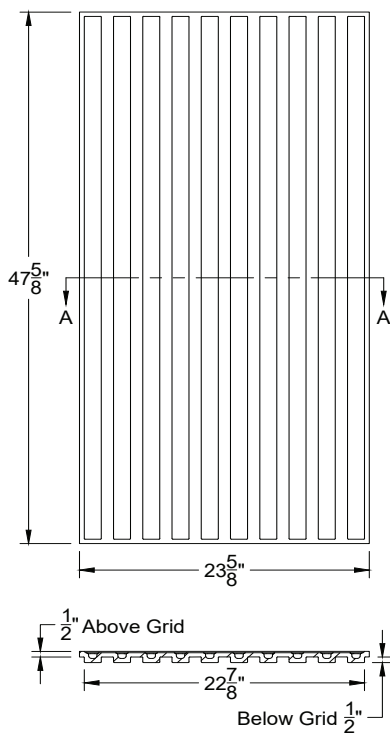


2ft x 4ft Woodland Stripe Ceiling Tile

TL-0142



NOMINAL SIZE:	2' x 4'
MATERIAL:	Gypsum, glass fiber, and other non-combustible aggregates
WEIGHT:	20.5 lbs/tile
FINISH:	Standard white or specify custom water-based paint color
CUSTOM/ FAUX FINISHES:	Available upon request
FIRE RATING:	Class A, with zero smoke spread, zero flame, zero flame spread, and zero fuel contribution
INSTALLATION:	Drop into any standard commercial 15/16 inch T-bar suspension grid, consisting of pre-punched roll-formed steel with exposed flange surface
GRID CLEARANCE:	12 inches
EASY TO FIELD:	For sprinklers, recessed lights, pendants and vents
FACTORY CUTS:	Inquire
CUSTOM DESIGN AVAILABLE:	Inquire



SECTION A-A

