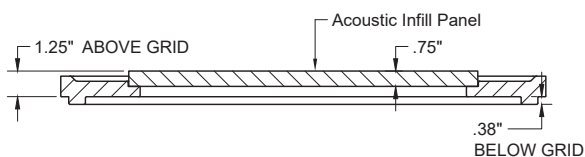
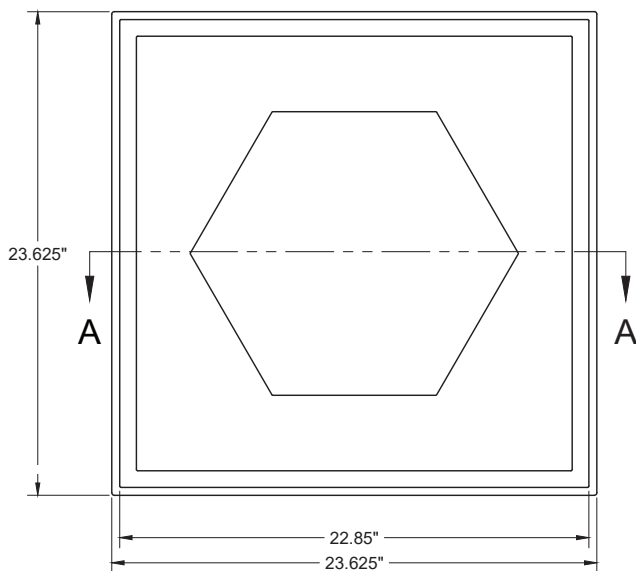


# Hexagon Acoustic Ceiling Tile

TL-0215



<b>NOMINAL SIZE:</b>	<b>2' x 2'</b>
<b>MATERIAL:</b>	<b>Gypsum, glass fibers, and other non-combustible aggregates</b>
<b>WEIGHT:</b>	<b>9.65 lbs/tile</b>
<b>STANDARD FINISH:</b>	<b>White satin latex paint</b>
<b>CUSTOM / FAUX FINISHES:</b>	<b>Available upon request</b>
<b>FIRE RATING:</b>	<b>Class A, with zero smoke spread, zero flame spread, and zero fuel contribution</b>
<b>INSTALLATION:</b>	<b>Drop into any standard commercial 15/16 inch T-Bar suspension grid, consisting of pre-punched roll-formed steel with exposed flange surface</b>
<b>EASY TO FIELD CUT:</b>	<b>For sprinklers, recessed lights, pendants and vents.</b>
<b>FACTORY CUT HOLES AND RADII FOR PERIMETERS:</b>	<b>Inquire</b>
<b>CUSTOM DESIGNS AVAILABLE:</b>	<b>Inquire</b>
<b>MADE IN USA:</b>	<b>Handmade, one-at-a-time in Milwaukee, WI</b>



SECTION A-A

